

Kalmar DRG100-54S6

Lifting data

Lifting capacity at load centre L4, rated – at max. lifting height (kg)	10000 - 10000
Lifting capacity at load centre L5, rated – at max. lifting height (kg)	9000 - 9000
Lifting speed, unloaded – at 70% of rated load (m/s)	0,50 - 0,42
Lowering speed, unloaded – at rated load (m/s)	0,42 - 0,48

Driving data

Travelling speed forward, unloaded – at rated load (km/h)	30 - 30
Travelling speed backward, unloaded – at rated load (km/h)	30 - 30
Gradeability at 2 km/h, unloaded – at rated load (%)	33 - 26
Gradeability max., unloaded – at rated load (%)	27 - 21
Drawbar pull, max. (kN)	130

Weight of truck

Service weight (kg)	39000
Axle load front at load centre L4, unloaded – at rated load (kg)	22300 - 38600
Axle load front at load centre L5, unloaded – at rated load (kg)	24100 - 40700
Axle load front at driving position according to EN 1459, and rated load (kg)	36200
Axle load rear at load centre L4, unloaded – at rated load (kg)	16700 - 10400
Axle load rear at load centre L5, unloaded – at rated load (kg)	14900 - 7300
Axle load rear at driving position according to EN 1459, and rated load (kg)	12800

Engine

Manufacturer - type designation	Volvo / TAD-871-VE
Fuel - type of engine	Diesel / 4-stroke / EU 4
Number of cylinders - engine volume (dm ³)	6-inline – 7.700
Power nominal / max, according to ISO-3046 – at revs (kW / rpm)	185 @ 1600 - 2200
Torque max, according to ISO-3046 – at revs (Nm / rpm)	1160 @ 1100 - 1500
Alternator, power (V/A)	AC, 3600 (28 / 130)
Starting battery, voltage – capacity (V – Ah)	2×12 - 140
Fuel consumption, normal driving (l/h)	8 - 15

Transmission

Manufacturer - type designation	DANA TE-17000
Clutch, type	Torque converter
Gearbox, type	Automatic Powershift
Number of gears, forward – reverse	3 - 3
Driving axle, manufacturer – type	Kessler D81, WDB, differential + hub reduction

Wheels

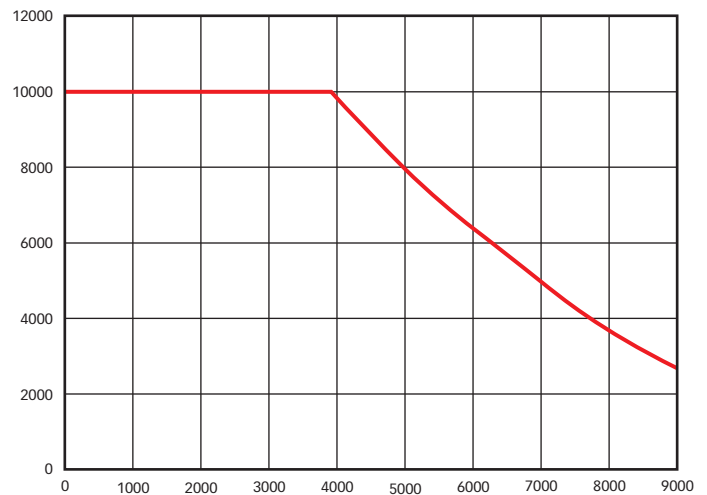
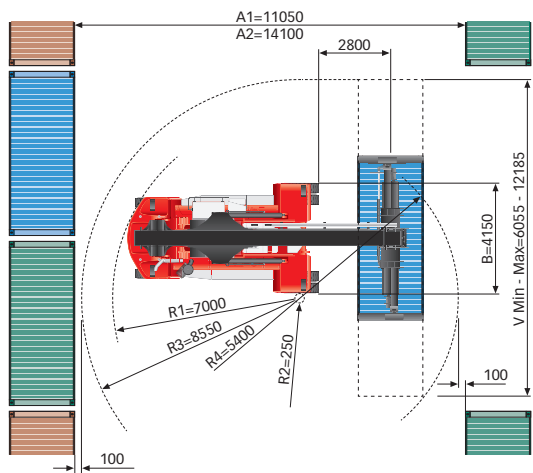
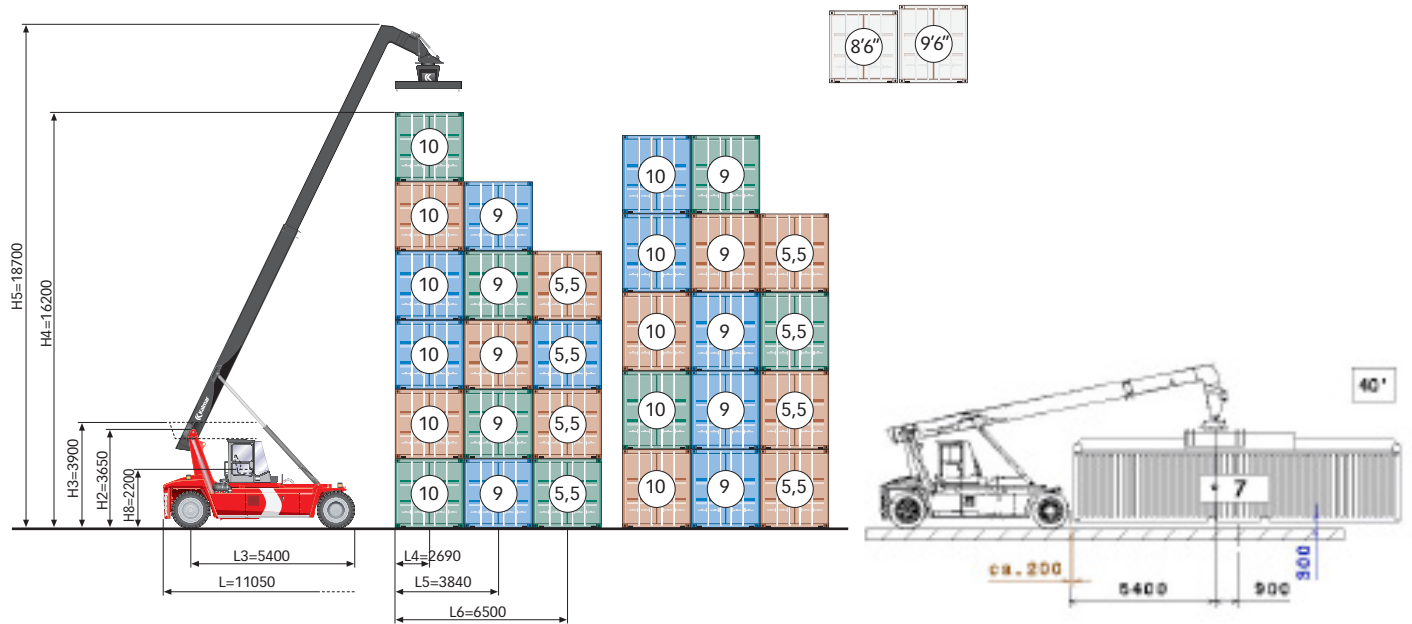
Type	Pneumatic / Tubeless
Dimensions, front – rear (inch)	14.00x24" - 14.00x24", PR24, E3
Number of wheels, front – rear (*driven)	4* - 2
Pressure (MPa)	1,0

Miscellaneous

Steering system, type – maneuvering	Servo assisted - Steering wheel
Service brake system, type – affected wheels	Wet disc brakes - Drive wheel
Parking brake system, type – affected wheels	Spring brake - Drive wheel
Noise level according to EN12053, inside (db(A))	72
Noise level according to 2000/14/EC, outside (db(A))	110
Max. hydraulic pressure (MPa)	22,0
Fuel volume (l)	525
Hydraulic oil volume (l)	525 (425 + 100)
Overload protection	Electronic

DRG100-54S6

DRG100-54S6



Dimensions

		DRF100-54S6
Beam angle (°)	α	0 - 67,5
Attachment rotation, CW - CCW (°)	β	195 - 105
Sideshift \pm (mm)	V1	± 1000
Track (c-c), front - rear	S	3285 - 2600
Ground clearance, min. (mm)		240

The designs and materials specification are subject to alternation without prior notice.
Tolerances according to K-standard 95430.0008/0009.

Cargotec improves the efficiency of cargo flows on land and at sea – wherever cargo is on the move. Cargotec's daughter brands Hiab, Kalmar and MacGregor are recognised leaders in cargo and load handling solutions around the world. Cargotec's global network is positioned close to customers and offers extensive services that ensure the continuous, reliable and sustainable performance of equipment. Cargotec's class B shares are quoted on the NASDAQ OMX Helsinki. www.cargotec.com

CARGOTEC
Cargotec Sweden AB
 Torggatan 3
 SE-340 10, Lidhult, Sweden
 tel. +46 372 260 00
 fax +46 372 263 90
www.cargotec.com